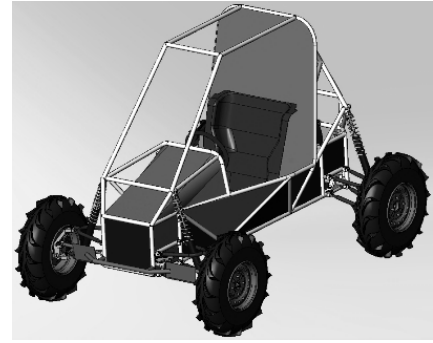


GENEVA COLLEGE ENGINEERING DEPARTMENT
SOCIETY OF AUTOMOTIVE ENGINEERS BAJA COMPETITION

March 18, 2010



Dear Sir or Madam:

Greetings from the Engineering Department at Geneva College!

It is with great excitement and anticipation that we share with you our plans for our historic senior design engineering project. This year, under the guidance of Dr. David Che and Mr. David Clark, we are striving to be the first team from Geneva College to participate in the Society of Automotive Engineers (SAE) Baja Competition. This competition is designed to “simulate real-world engineering design projects and their related challenges”. Participants, namely engineering students, design and create an off-road vehicle that must endure difficult terrain and obstacles.

The purpose of the Baja SAE competition is to challenge us to plan and produce the vehicle, emulating the processes and tasks involved when introducing a new product to the consumer industrial market. Teams compete to have their design selected for manufacture by a fictitious organization. We will be expected to design, construct, test, promote and race a vehicle in accordance with the competition rules, as well as raise the required financial support for the project.

We are all looking forward to using the knowledge that we have gained through our engineering courses here at Geneva in pursuit of this goal. We ask that you would consider helping us toward our goal of \$10,000. Your gift will enable us to purchase the necessary materials for the vehicle, as well as cover the \$1,000 registration fee and transportation costs. Corporate sponsorship opportunities are available; decals can be affixed to our vehicle to acknowledge such support. Contact team captain Nick Bloom with questions about this exciting project: nick.bloom@geneva.edu or 717.701.0477.

Your consideration of this request is most appreciated.

Sincerely,

Logan Kibler; Washington Boro, PA

Philip Ritenour; Xenia, OH

Matt Susa; Beaver Falls, PA

Nick Bloom; Carlisle, PA (*Team Captain*)

Scott Miner; Houghton, NY

Frank Cacciotti, McDonald, PA (*not pictured*)



2010 Baja SAE Team